



WLAN660

Wireless IP Phone

Administrator's Guide

Trademark Acknowledgement

All brand names are trademarks or registered trademarks of their respective companies.

Disclaimer

This document is supplied by BCM Communication Co., Ltd. No part of this document may be reproduced, republished or retransmitted in any form or by any means whatsoever, whether electronically or mechanically, including, but not limited to, by way of photocopying, recording, information recording or through retrieval systems, without the express written permission of BCM Communication Co., Ltd.

BCM Communication Co., Ltd. reserves the right to make changes, without notice, to any product, including circuits and/or software described or contained in this manual in order to improve design and/or performance. BCM Communication Co., Ltd. Assumes no responsibility or liability for the use of the described product(s), conveys no license or title under any patent, copyright, or mask work rights to these products, and makes no representations or warranties that these products are free from patent, copyright, or mask work right infringement, unless otherwise specified. Applications that are described in this manual are for illustration purposes only. BCM Communication Co., Ltd. Makes no representation or warranty that such application will be suitable for the specified use without further testing or modification.

FEDERAL COMMUNICATIONS COMMISSION

This device complies with Part 15 of the FCC Rules. Operation is subject to the following two conditions: (1) this device may not cause harmful interference, and (2) this device must accept any interference received, including interference that may cause undesired operation.

NOTE

This equipment has been tested and found to comply with the limits for a Class B digital device, pursuant to Part 15 of the FCC Rules. These limits are designed to provide reasonable protection against harmful interference in a residential installation. This equipment generates, uses and can radiated radio frequency energy and, if not installed and used in accordance with the instructions, may cause harmful interference to radio communications. However, there is no guarantee that interference will not occur in a particular installation. If this equipment does cause harmful interference to radio or television reception, which can be determined by turning the equipment off and on, the user is encouraged to try to correct the interference by one or more of the following measures:

- Reorient or relocate the receiving antenna.
- Increase the separation between the equipment and receiver.
- Connect the equipment into an outlet on a circuit different from that to which the receiver is connected.
- Consult the dealer or an experienced radio/TV technician for help.

Changes or modifications not expressly approved by the party responsible for compliance could void the user's authority to operate the equipment.

The antenna(s) used for this transmitter must not be co-located or operating in conjunction with any other antenna or transmitter

This EUT is compliance with SAR for general population /uncontrolled exposure limits in ANSI/IEEE C95.1-1999 and had been tested in accordance with the measurement methods and procedures specified in OET Bulletin 65 Supplement C

This device and its antenna(s) must not be co-located or operating in conjunction with any other antenna or transmitter

Contents

| | | |
|----------|--|----|
| 1. | Introduction | 5 |
| 2. | Getting Started | 6 |
| 2.1. | Package Contents | 6 |
| 2.2. | Keypad | 6 |
| 2.3. | Turn On/Off the Power | 7 |
| 2.4. | Load Default IP Address | 7 |
| 2.5. | Enter Administrative Mode | 8 |
| 2.6. | Locking & Unlocking the Keypad | 8 |
| 2.7. | Adjusting the Speaker Volume | 9 |
| 2.8. | Selecting the Character Mode | 9 |
| 2.9. | Erasing the Character Mode | 9 |
| 3. | Configuring Network Environment | 10 |
| 3.1. | Network Configuration | 10 |
| 3.1.1. | Fixed IP | 10 |
| 3.1.2. | DHCP | 11 |
| 3.1.3. | PPPoE | 12 |
| 3.2. | Wireless Configuration | 13 |
| 3.2.1. | Wireless LAN Settings | 13 |
| 3.2.1.1. | Wireless LAN | 13 |
| 3.3. | SIP Configuration | 16 |
| 3.3.1. | Registrar IP Settings | 16 |
| 3.3.2. | Outbound Proxy Settings | 17 |
| 3.3.3. | SIP Proxy Server Settings | 18 |
| 3.3.4. | Setting up the User Account | 19 |
| 3.4. | Using the Phonebook | 20 |
| 3.4.1. | Searching Phonebook Entries - Edit Entry | 20 |
| 3.4.2. | Searching Phonebook Entries - Erase Entry | 21 |
| 3.4.3. | Searching Phonebook Entries - Speed dial Entry | 22 |
| 3.4.4. | Adding a Phonebook Entry | 23 |
| 3.4.5. | Erasing Phonebook Entries - One By One | 24 |
| 3.4.6. | Erasing Phonebook Entries - All | 25 |
| 3.5. | Call History | 26 |
| 3.5.1. | Missed Call | 26 |

| | | |
|--------|----------------------------------|----|
| 3.5.2. | Received Call | 27 |
| 3.5.3. | Dialed Call | 28 |
| 3.5.4. | Erasing Call | 29 |
| 3.6. | Settings | 30 |
| 3.6.1. | Setting the Ring Melody | 30 |
| 3.6.2. | Setting the Vibration Mode | 31 |
| 3.6.3. | Adjusting the Ring Volume | 31 |
| 3.6.4. | Setting the Time | 32 |
| 3.6.5. | Setting the Date | 32 |
| 3.6.6. | Setting the Banner | 33 |
| 3.6.7. | Setting the Key Lock | 33 |
| 3.6.8. | Don't Disturb | 34 |
| 4. | Web Configuration | 35 |
| 4.1. | Login Password | 35 |
| 5. | Basic Phone Tasks | 36 |
| 5.1. | Dialing a Phone Number | 36 |
| 5.2. | Redialing a Phone Number | 36 |
| 5.3. | Answering a Call | 36 |
| 6. | Display Messages | 37 |
| 6.1. | Error Messages | 37 |
| 6.2. | Warning Messages | 38 |

1. Introduction

This is an Administrator's manual describing the wireless IP phone WLAN660 running in **Administrative mode**. Before using WLAN660, some setup processes are required to make the phone work properly. You should at least setup the IP address of WLAN660 and router when DHCP is disabled. When DHCP server is available, you can skip the process of setting up the WLAN660 IP address.

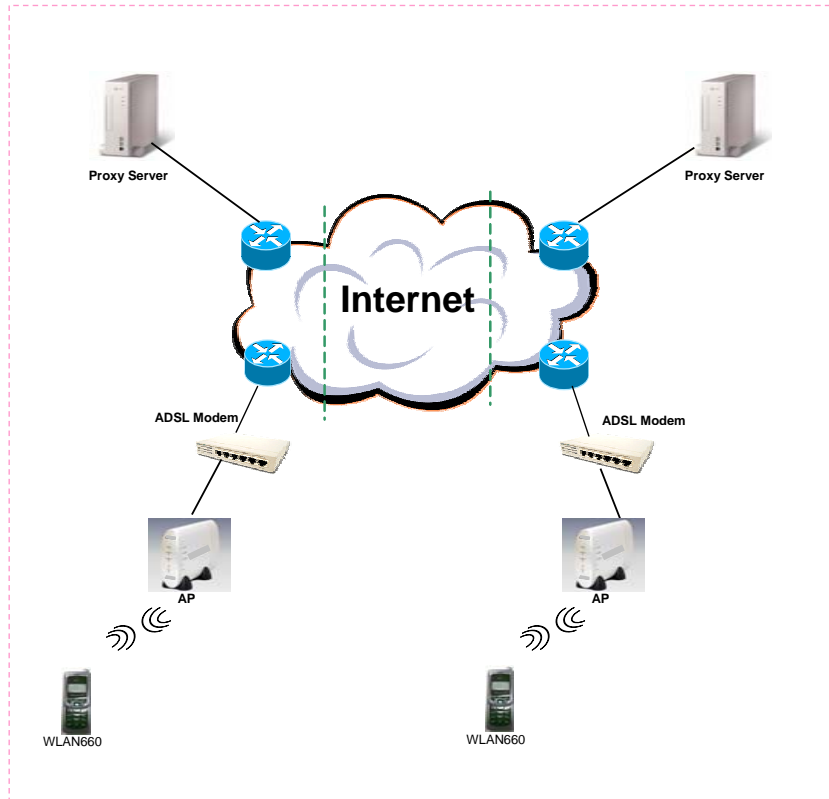


Figure 1.1 Network connections for WLAN660

2. Getting Started

Please check the following before using the WLAN660:

- Package contents
- How to install and remove the battery
- How to charge the battery
- How to turn on/off the device

2.1. Package Contents

You should find the following contents in your WLAN660 package:

- | | |
|--|----|
| ● WLAN660 Wireless IP Phone | x1 |
| ● Standard battery | x1 |
| ● WLAN660 Wireless IP Phone User's Guide | x1 |
| ● Power Supply (AC adapter) | x1 |

If any of these items are missing or damaged, please contact your distributor or sales representative immediately.


2.2. Keypad



Figure 2.2-1 WLAN660 Wireless IP Phone

| KEY | DESCRIPTION |
|--------------------------|---|
| Soft key 1 | This key is used for making selections on the bottom left side of the phone LCD, such as: Menu, Select, OK... Its current function is indicated by the word appearing above the key. |
| Soft key 2 | This key is used for making selections on the bottom right side of the phone LCD, such as: Names, Back, Clear... Its current function is indicated by the word appearing above the key. |
| Arrow keys | Use the arrow keys to navigate through your phone's menus and submenus, as well as your Phonebook. The up / down arrow keys are also used for selecting the character mode: A, a, 1, @. |
| Talk Key | Use this key to answer a call or make a call. |
| End Key / Power Key | Use this key to end a call, reject a call or return to Standby mode. Press and hold this key for two seconds to switch off / switch on the phone. |
| Numerical / special keys | Use to enter numbers, characters or special characters. |

2.3. Turn On/Off the Power

To turn on/off the power, press and hold the “” key for approximately 2 seconds.

The phone enters the “standby” mode; Main Screen is displayed as shown in Figure 2.3-1



Figure 2.3-1 Standby Mode

2.4. Load Default IP Address

1. Turn of the power.
2. Press and hold the “” + “” keys for about 2 seconds to load the default IP address. WLAN660 will reset to the default IP address (192.168.0.6).

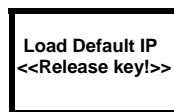


Figure 2.4-1 Load default IP

2.5. Enter Administrative Mode

1. Turn of the power.
2. Press the “” + “” + “” keys and hold till the <ENGINEER MENU> is shown on the LCD screen. Then release the keys.
3. In approximately 10 seconds, you will enter the main screen of the administrative mode.

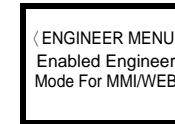



Figure 2.5-1 Administrative Mode

2.6. Locking & Unlocking the Keypad

Follow these steps to lock & unlock the keypad:

1. In idle state, hold the  key over 2 seconds or wait over 1 minute. The keypad will be locked, as shown in Figure 2.6-1.

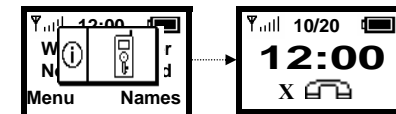


Figure 2.6-1 Keypad Locked

2. To release, press and hold the  key for approximately 2 seconds and the message will appear prompting you to confirm, the procedure like Figure 2.6-2.

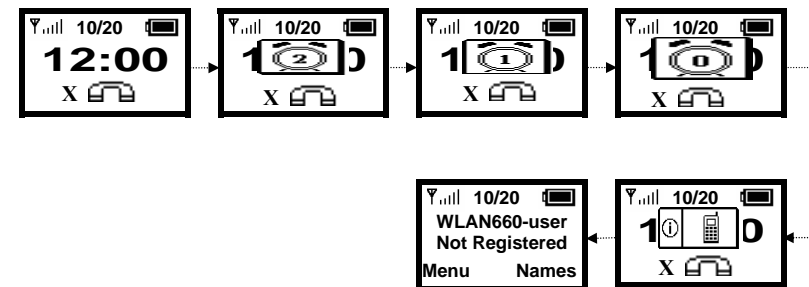


Figure 2.6-2 Keypad Unlocked

3. When locking, press any key would show, Figure 2.6-3.



Figure 2.6-3 Keypad Locked

2.7. Adjusting the Speaker Volume

During conversation, press the ” ⏮ “ key to increase the volume.
To decrease the volume, during conversation, press the ” ⏭ “ key. See Figure 2.7-1.

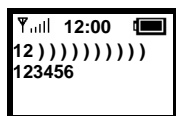


Figure 2.7-1 Adjusting the Speaker Volume

2.8. Selecting the Character Mode

Use the up / down arrow keys (▲ / ▼) to select the character mode: capital or lowercase characters, numbers or special characters (A, a, 1, @). See Figure 2.8-1.

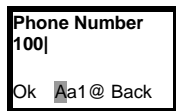


Figure 2.8-1 Selecting the Character Mode

2.9. Erasing the Character

When editing, press “ ⏻ “ key would erase character. See Figure 2.9-1.

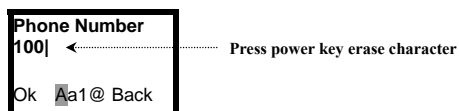


Figure 2.9-1 Erasing the Character Mode

3. Configuring Network Environment

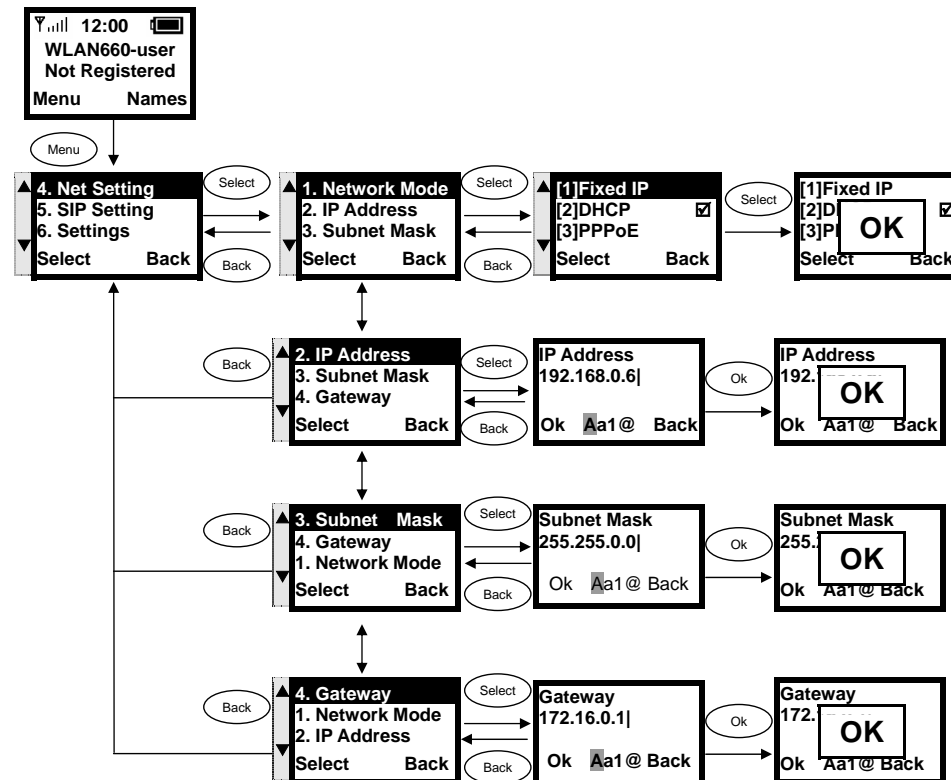
This chapter explains how to modify the network environment.

3.1. Network Configuration

This section introduces modifications to the network information.

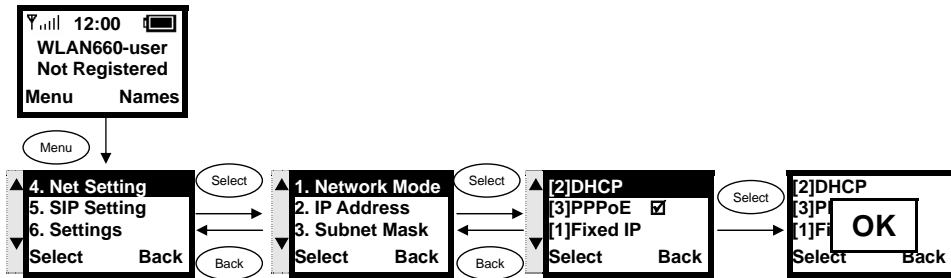
3.1.1. Fixed IP

This section introduces how to select Fixed IP.



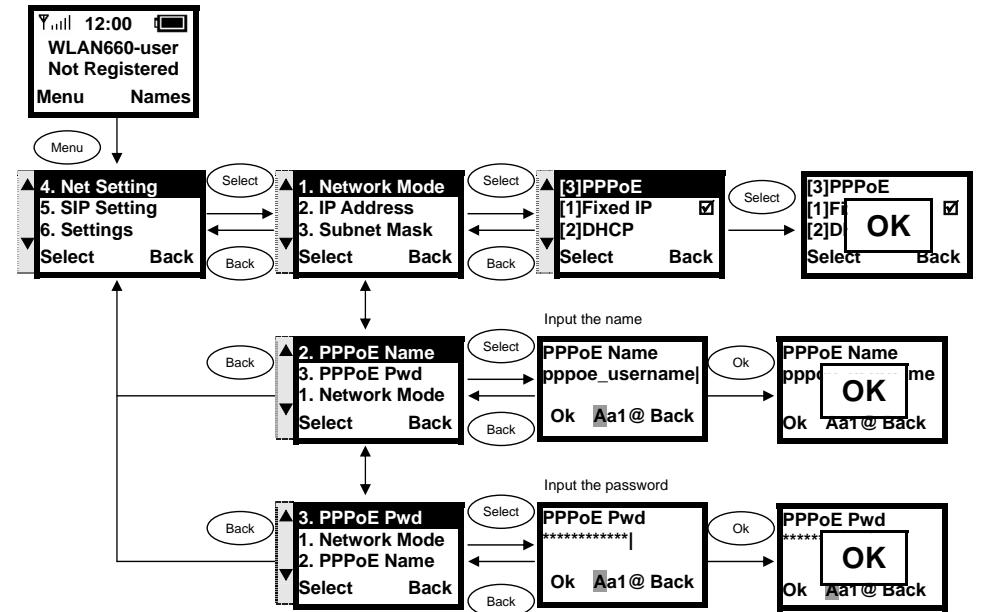
3.1.2. DHCP

This section provides instructions for performing the DHCP settings. The Dynamic Host Configuration Protocol (DHCP) client provides a mechanism for allocating IP address dynamically so that addresses can be reused when hosts no longer need them.



3.1.3. PPPoE

The Point-to-Point Protocol over Ethernet (PPPoE) provides more than just IP address assignment, which is the primary purpose of DHCP (assigning a unique and available IP address based upon a unique network adapter address). PPPoE also allows for the movement of TCP/IP traffic between two known points. It requires a username and password to log on.



3.2. Wireless Configuration

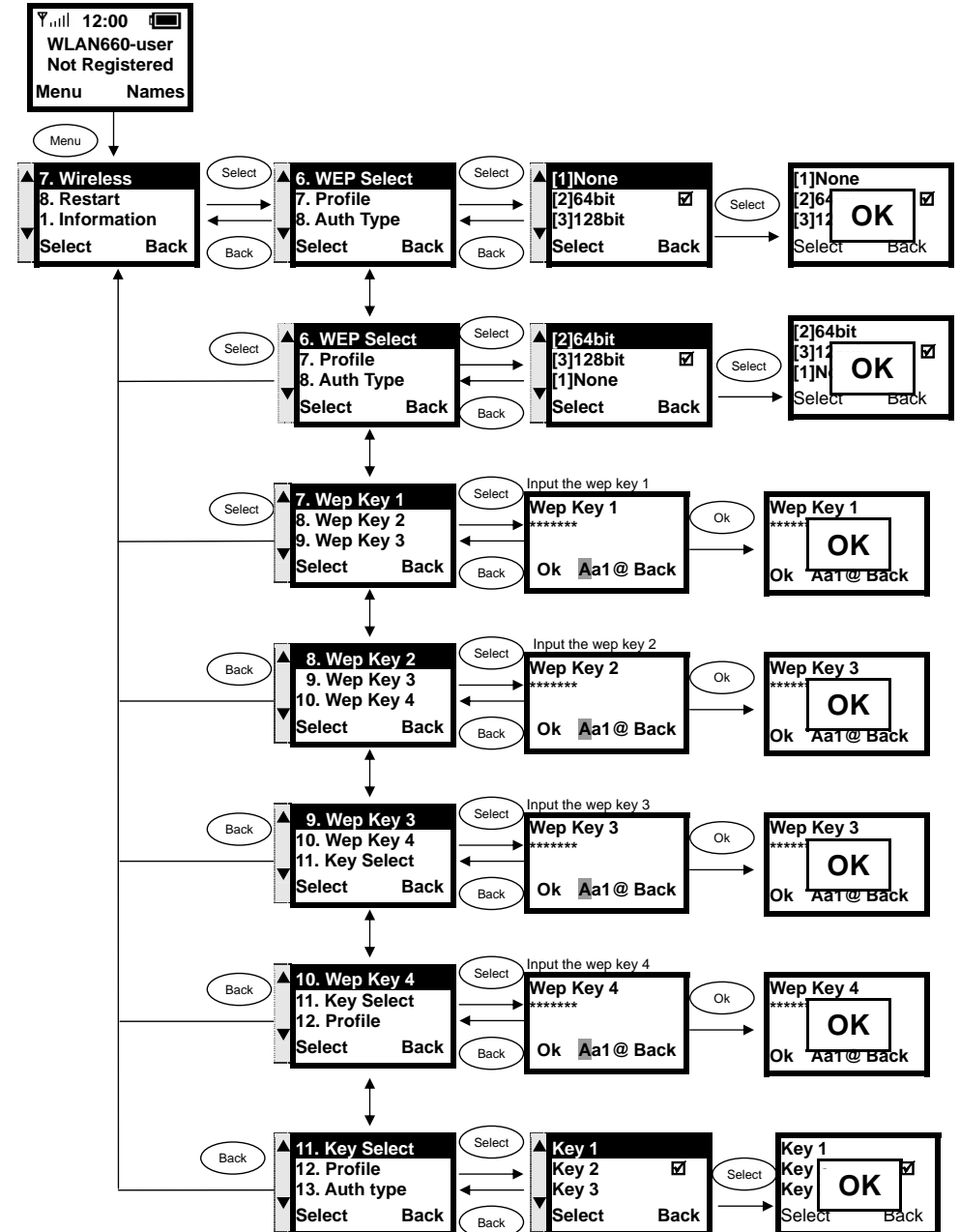
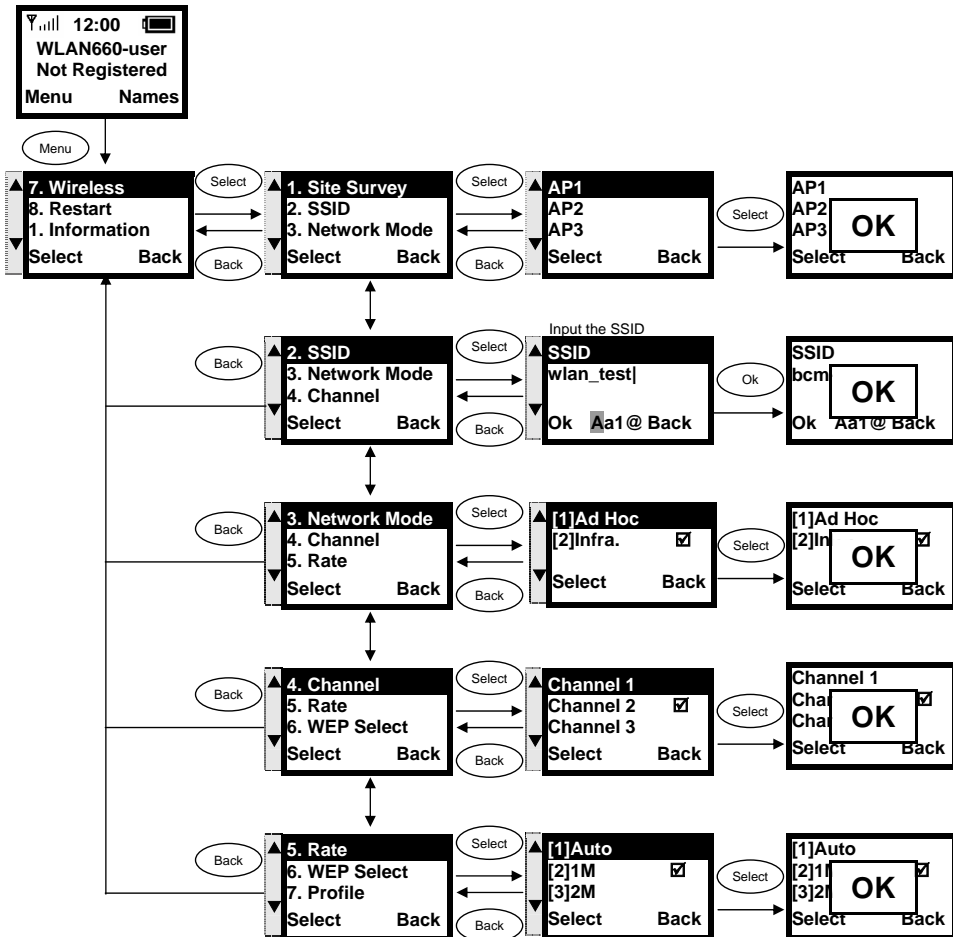
This section provides instructions for configuring the wireless, 802.11b, configuration submenu.

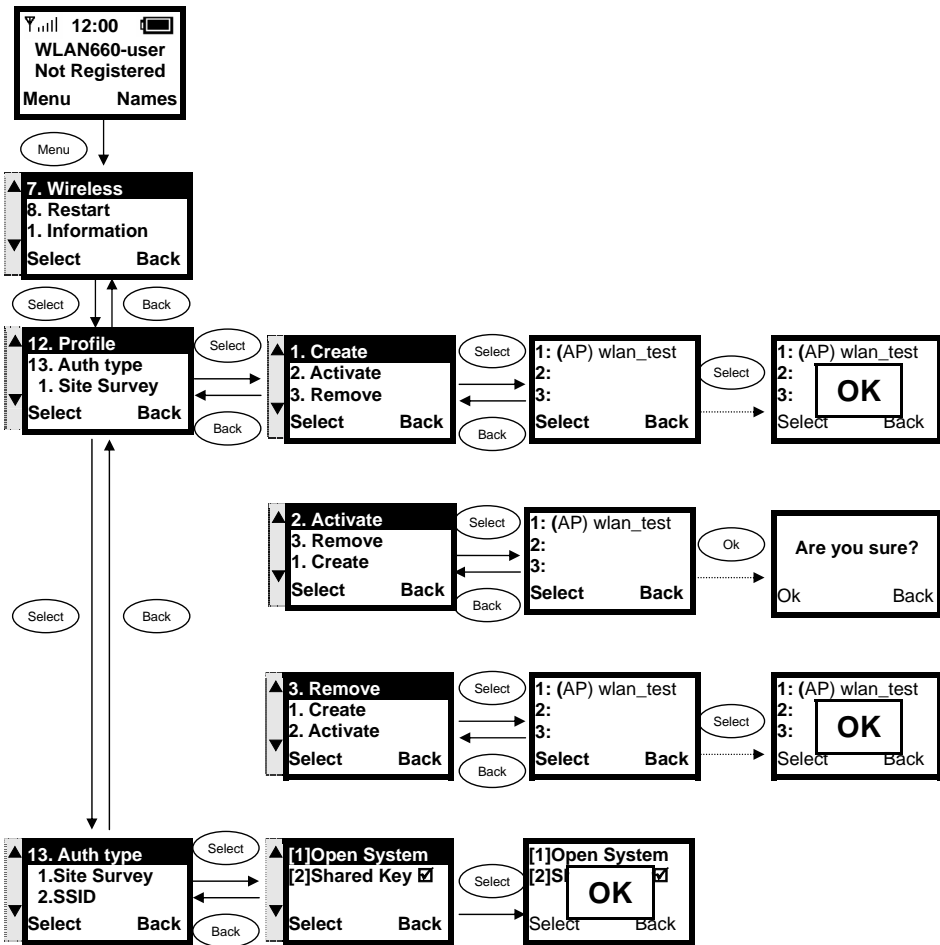
3.2.1. Wireless LAN Settings

This section explains the following:

- Scanning for the Wireless Service Set Identifier
- Making wireless settings
- Setting up WEP Keys (Wireless Equivalent Privacy Keys)

3.2.1.1. Wireless LAN

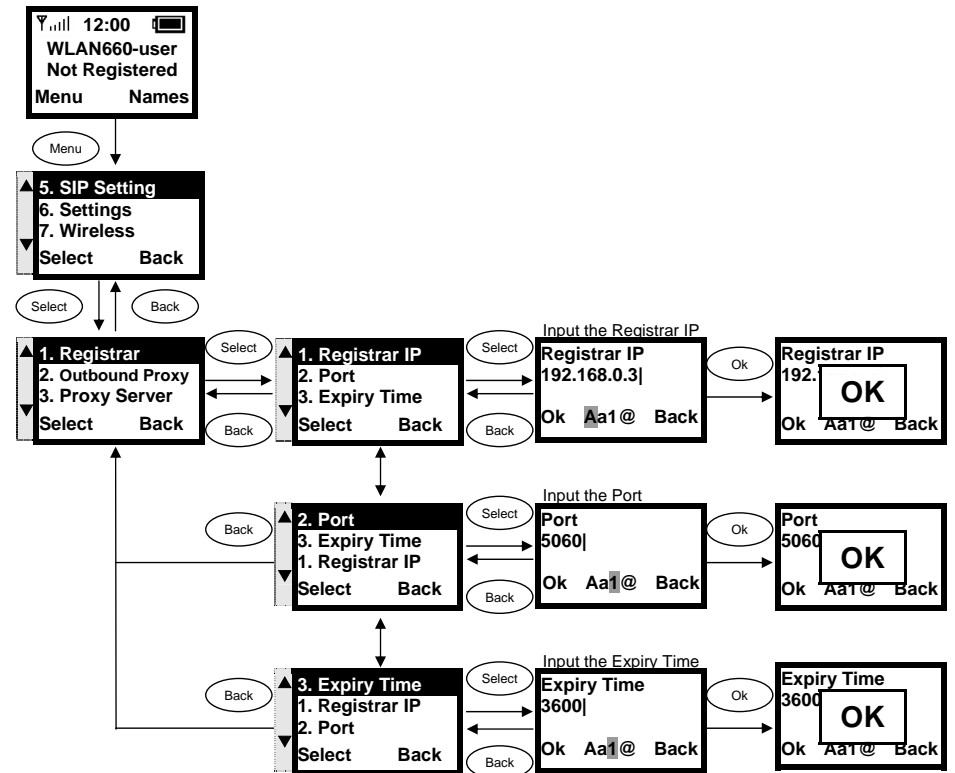




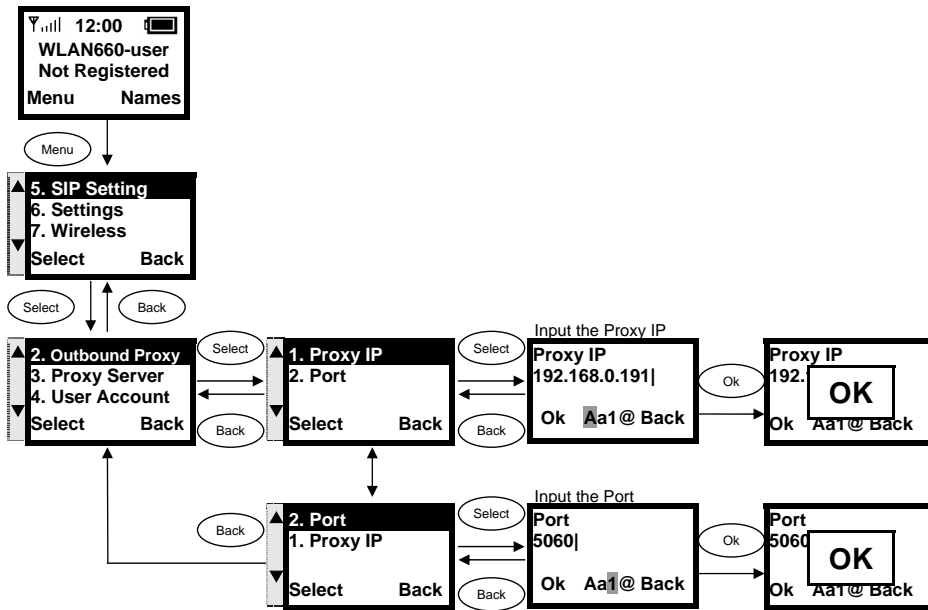
3.3. SIP Configuration

This section provides information on the Session Initiation Protocol (SIP) settings. Please note that you have to configure both, Registrar Server, SIP Proxy Server and Outbound Proxy.

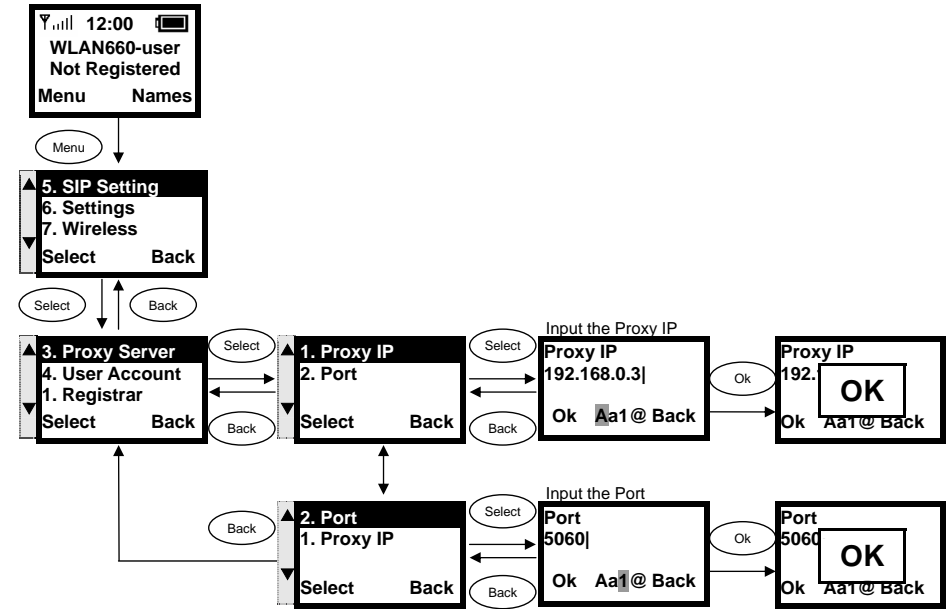
3.3.1. Registrar IP Settings



3.3.2. Outbound Proxy Settings

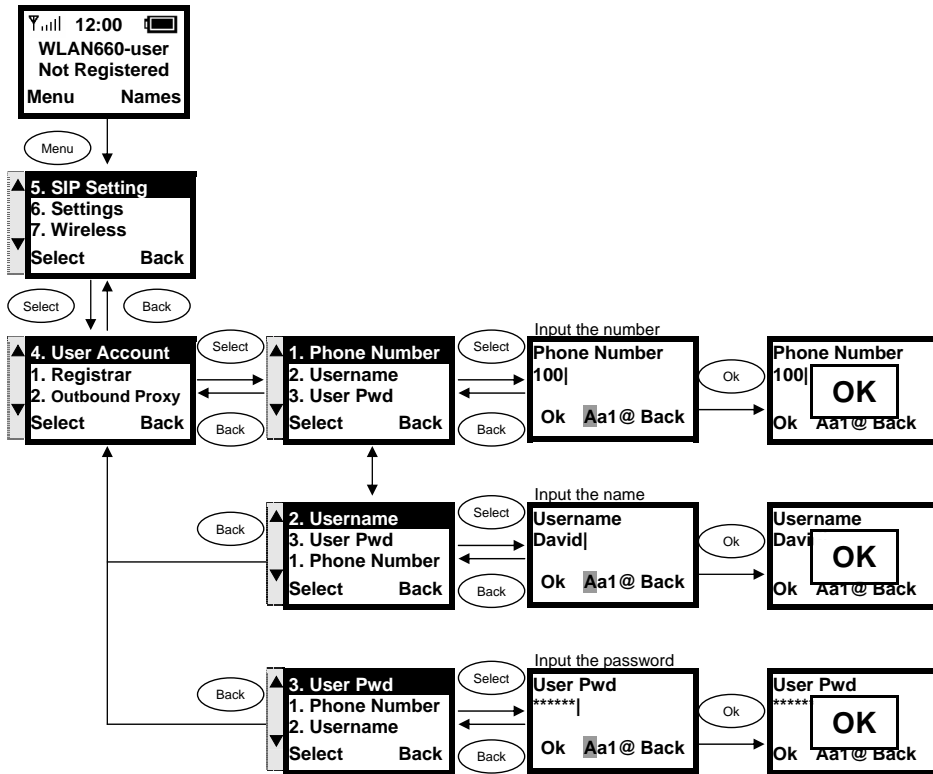


3.3.3. SIP Proxy Server Settings



3.3.4. Setting up the User Account

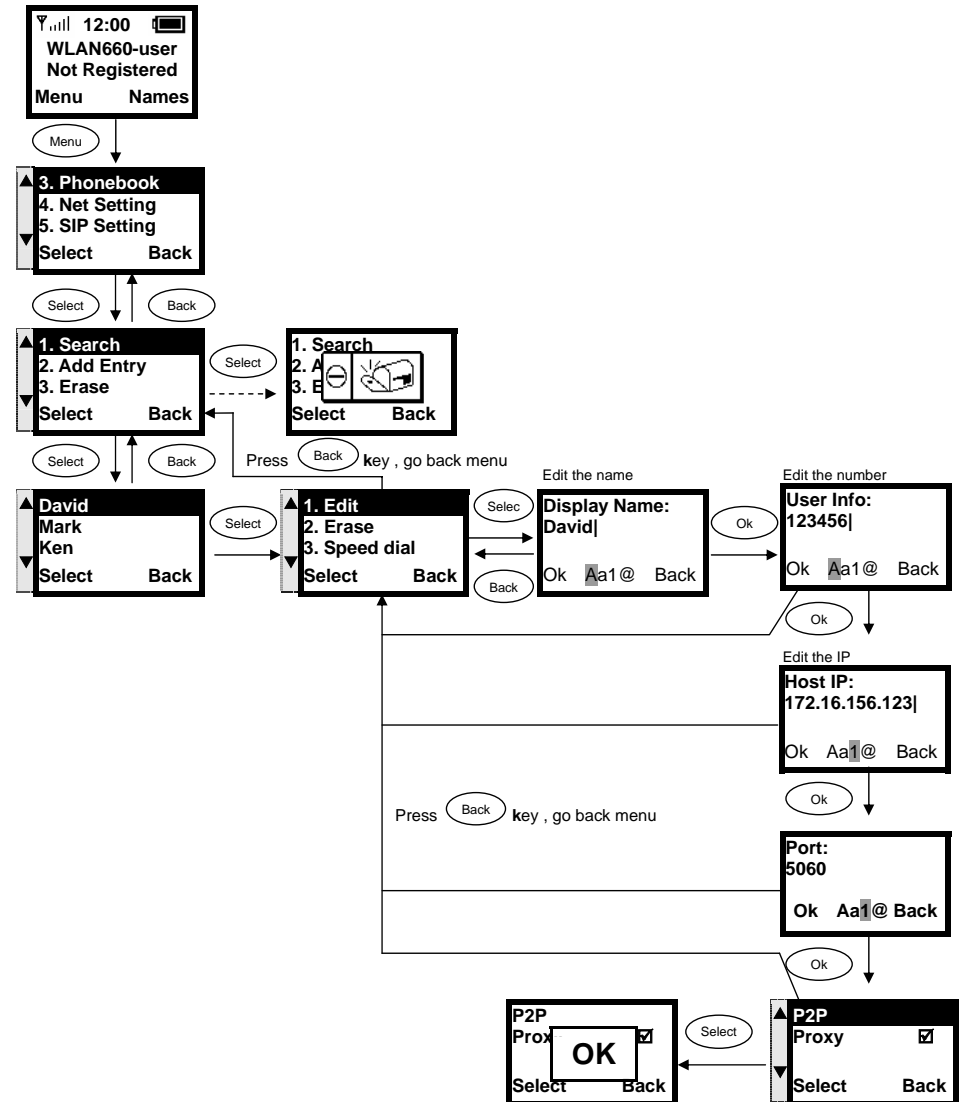
This section explains how to set up your phone number, username and password you will be using to connect to the SIP server.



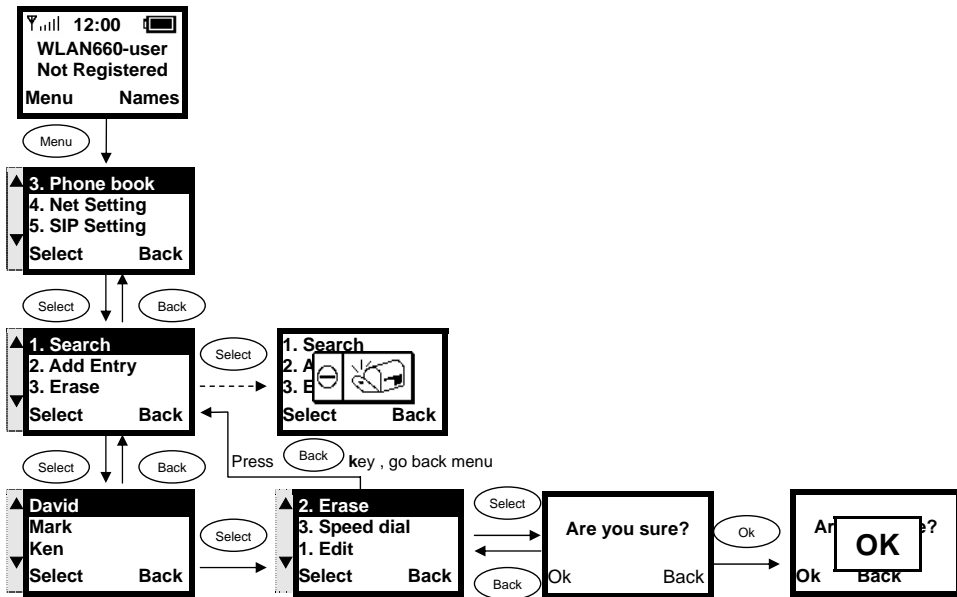
3.4. Using the Phonebook

This section provides information about accessing the phonebook and using its features.

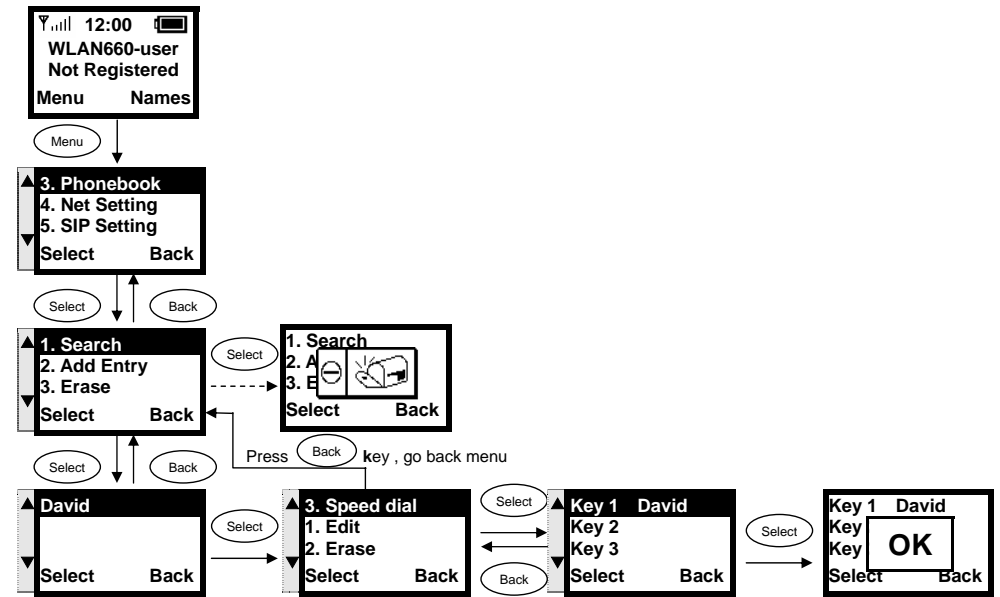
3.4.1. Searching Phonebook Entries - Edit Entry



3.4.2. Searching Phonebook Entries - Erase Entry

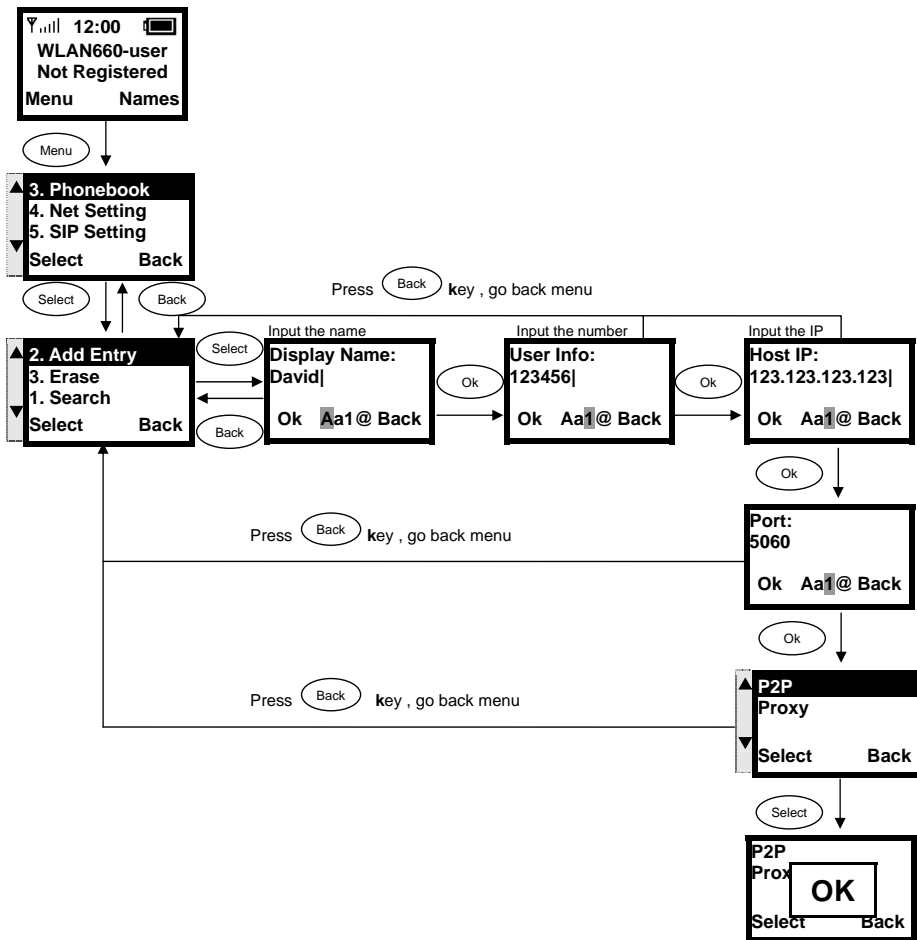


3.4.3. Searching Phonebook Entries - Speed dial Entry



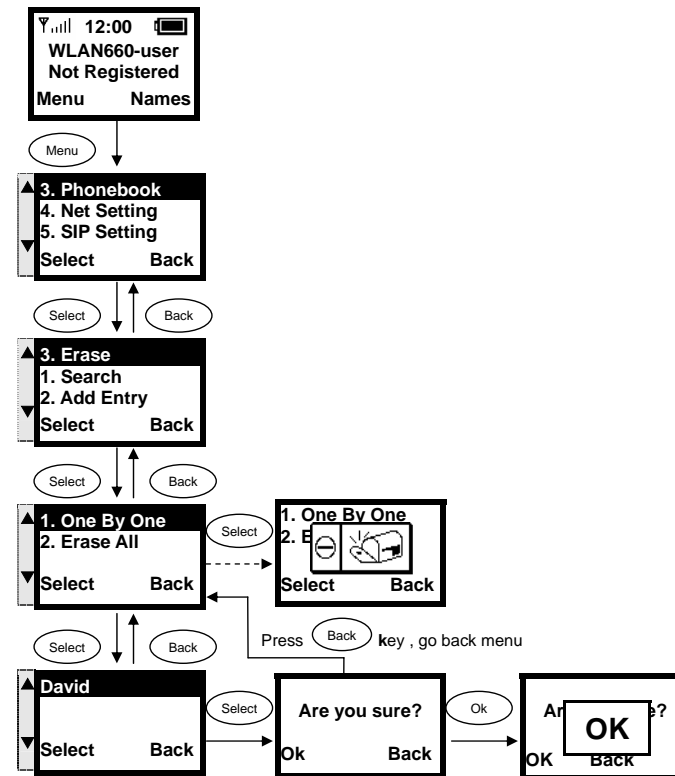
3.4.4. Adding a Phonebook Entry

This section provides information on adding a new entry in your Phonebook.



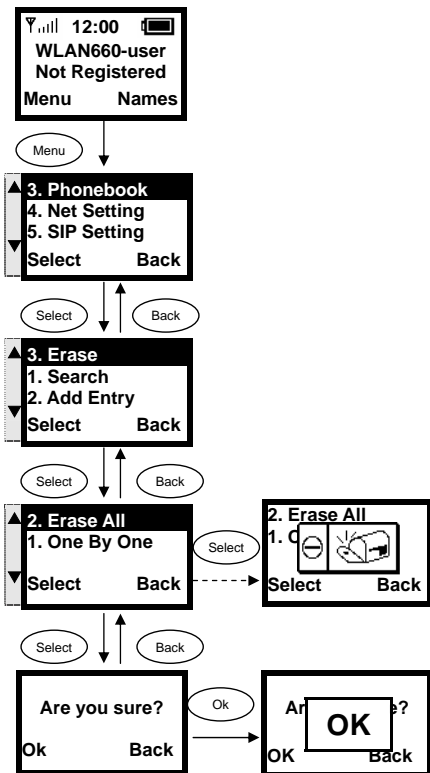
3.4.5. Erasing Phonebook Entries - One By One

This section explains how to erase an existing entry from your Phonebook.



3.4.6. Erasing Phonebook Entries - All

This section explains how to erase all entries from your Phonebook.

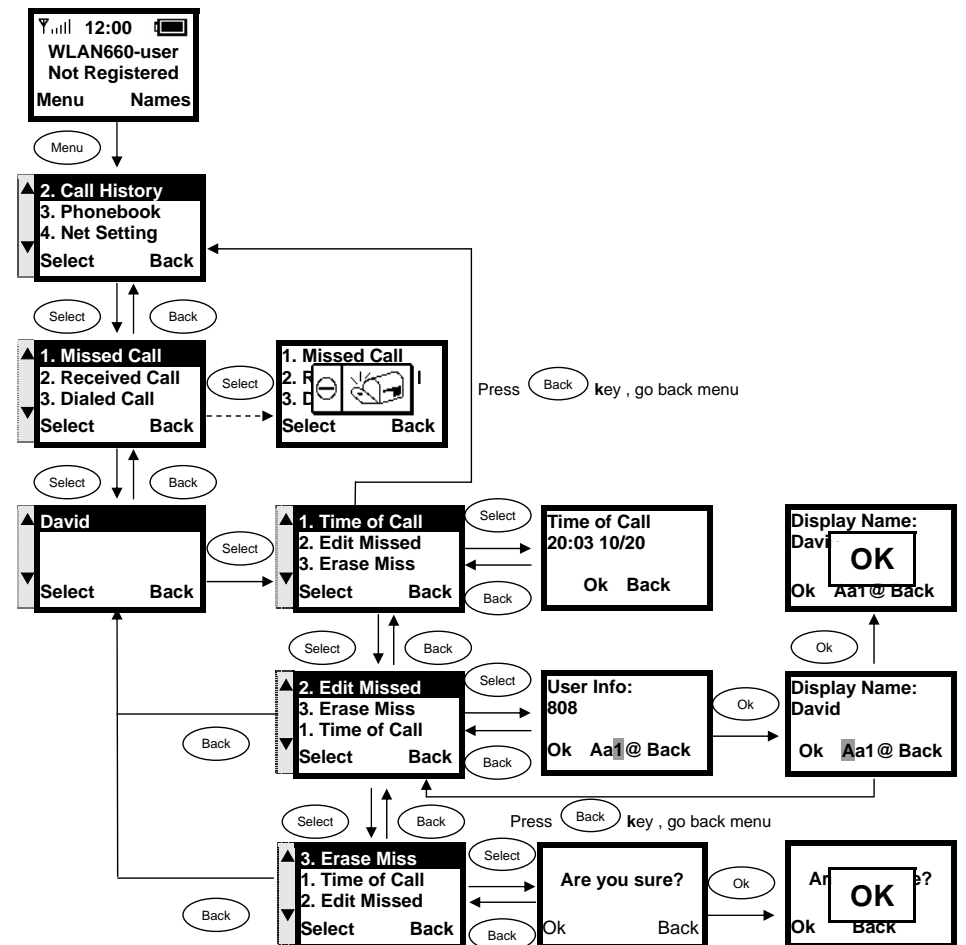


3.5. Call History

Call History is a useful feature for checking missed calls, then edit, save and dial the selected phone number.

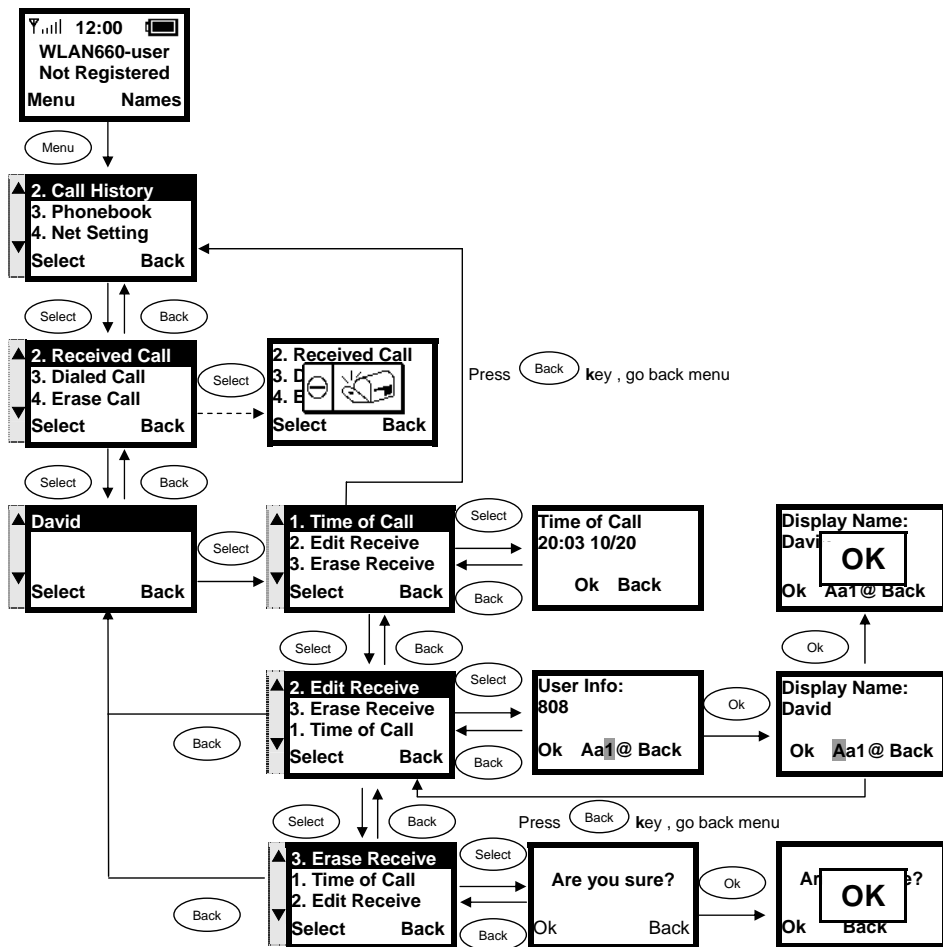
3.5.1. Missed Call

This option allows you to check for missed calls, then edit, save and dial the selected phone number.



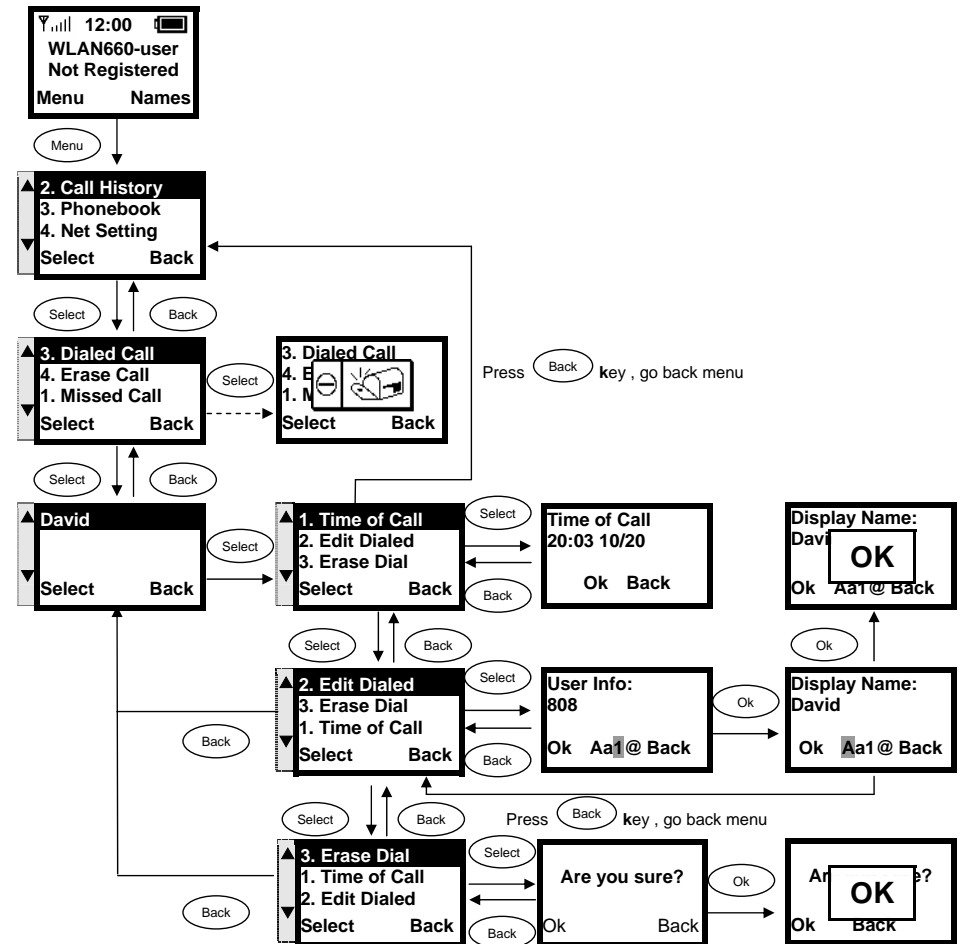
3.5.2. Received Call

This option allows you to check for received calls, then edit, save and dial the selected phone number.

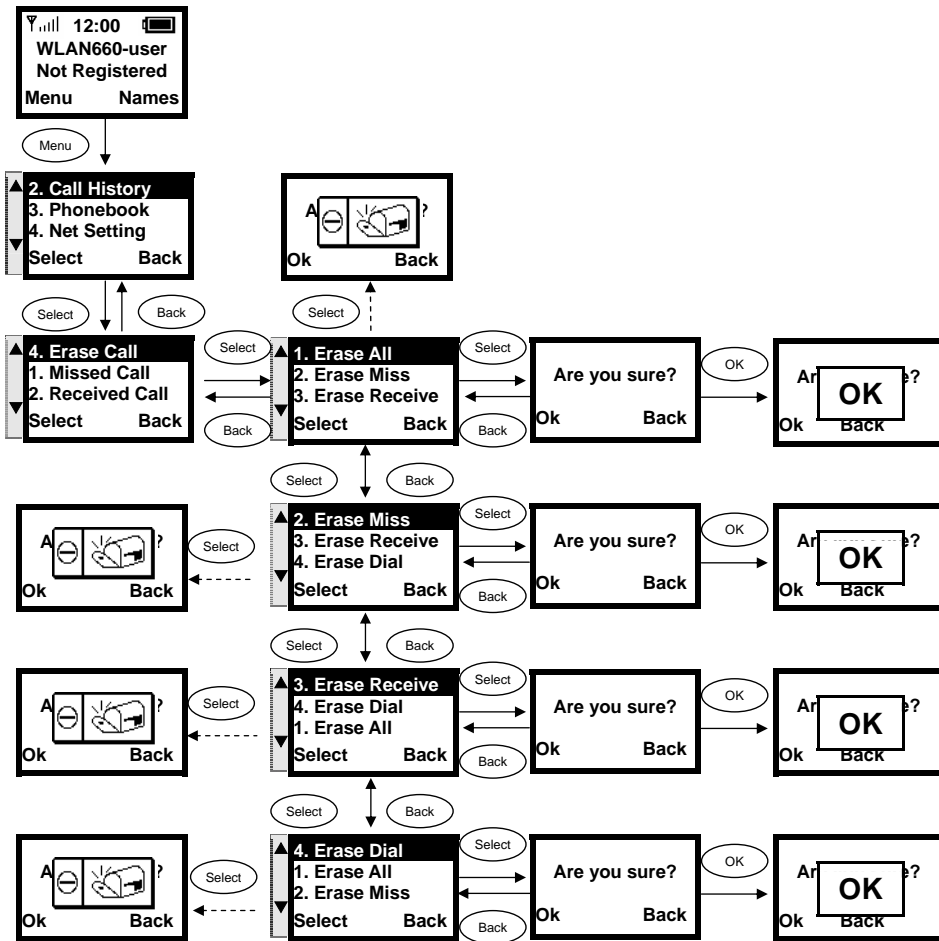


3.5.3. Dialed Call

This option allows you to check for dialed calls, then edit, save and dial the selected phone number.



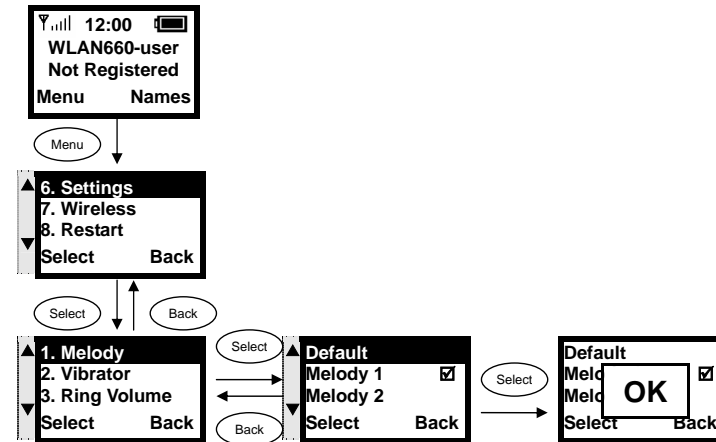
3.5.4. Erasing Call



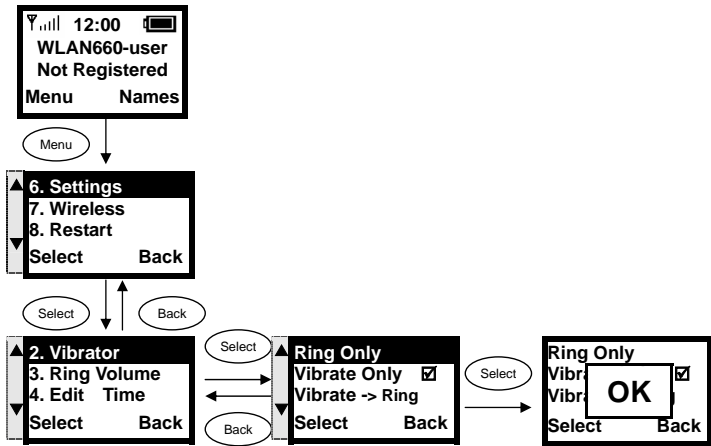
3.6. Settings

This section describes how to modify melody, ring volume, time, banner, etc.

3.6.1. Setting the Ring Melody

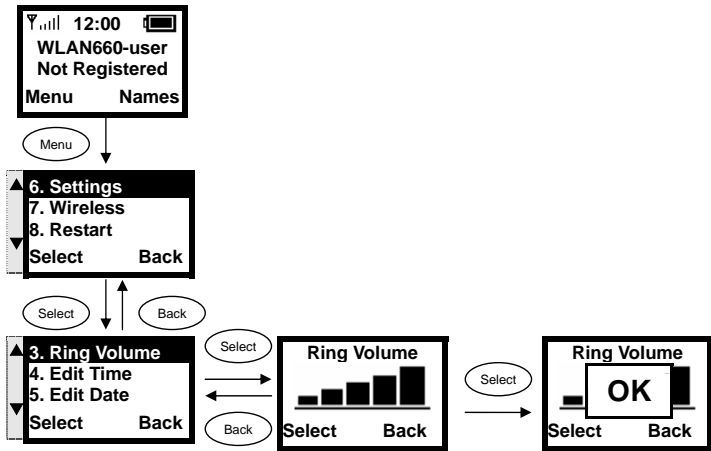


3.6.2. Setting the Vibration Mode

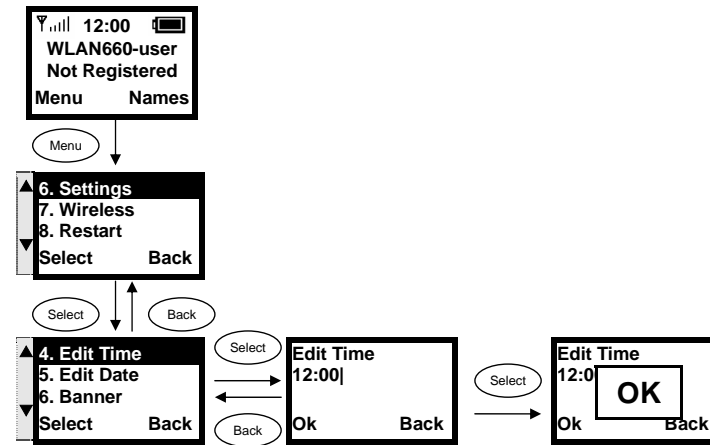


3.6.3. Adjusting the Ring Volume

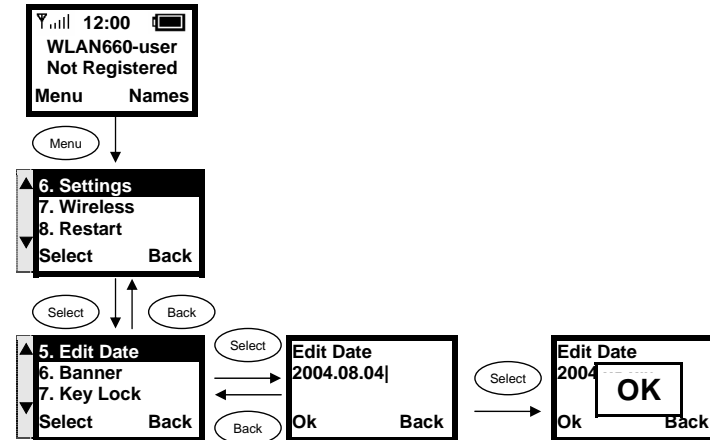
Use the left / right arrow keys (◀ / ▶) to decrease / increase the ring volume.



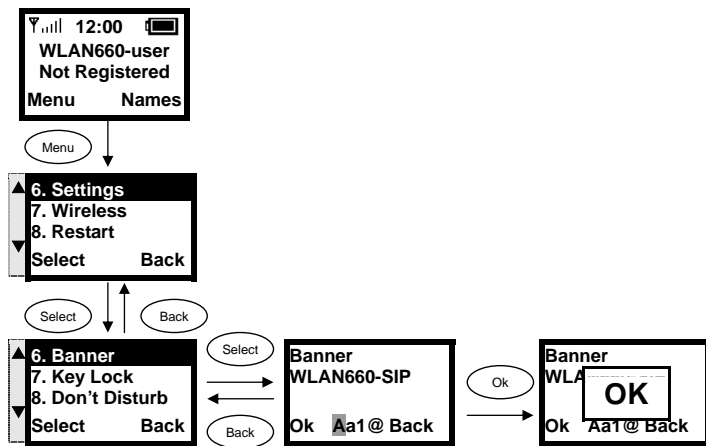
3.6.4. Setting the Time



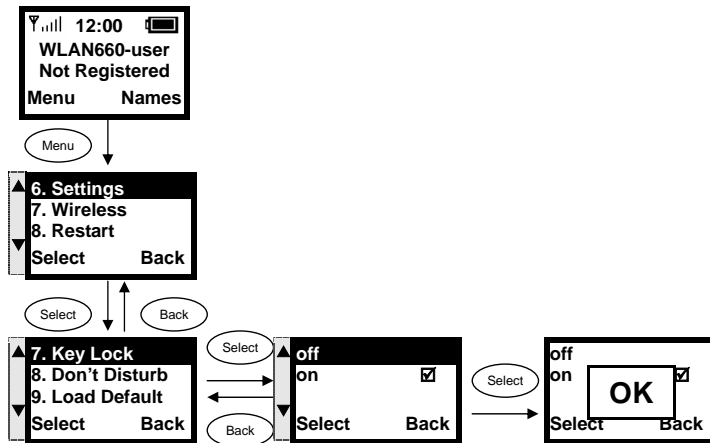
3.6.5. Setting the Date



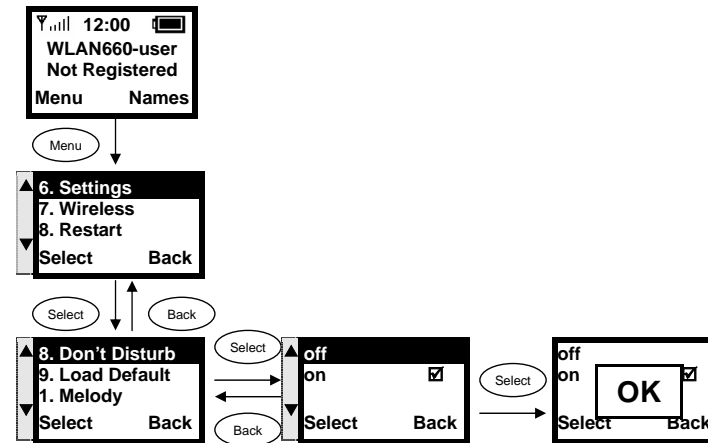
3.6.6. Setting the Banner



3.6.7. Setting the Key Lock



3.6.8. Don't Disturb



4. Web Configuration

This chapter explains how to use the WLAN660 web interface to configure your wireless IP phone.

4.1. Login Password

Use your browser to access the WLAN660 web page – in the Address field, type: <http://<ipaddress>>, then click the Go button.

WLAN660 offers two default accounts:

1. the user's account,

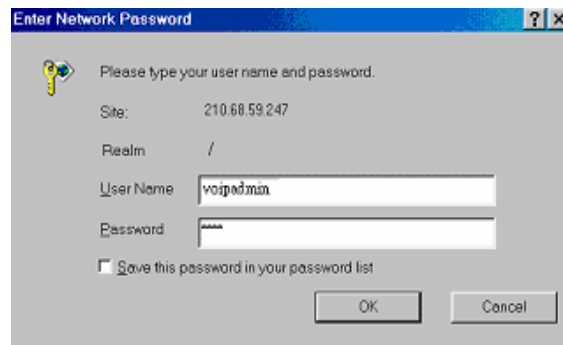
User Name: **user**

Password: **1111**

2. and the administrative account

User Name: **voipadmin**



Password: **admin**




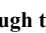


The main web page is divided into several frames, each related to a VoIP module. It includes information, network settings, SIP proxy server settings, registrar server settings, phone book settings, voice codec settings, voice quality settings, system settings, and update settings.

5. Basic Phone Tasks


5.1. Dialing a Phone Number


1. In idle state, enter a phone number by using the numerical keys.
2. If you have entered an incorrect number, press the  key to delete it.
3. Press the  key to connect your call.

5.2. Redialing a Phone Number

1. In idle state, press the  key.
The list of placed calls is displayed.
2. Scroll through the list by using the  or  key.
Press the  key to make the call.

5.3. Answering a Call

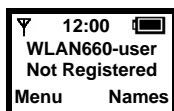
To answer a call, press the  key.

To reject a call, press the  key.

6. Display Messages

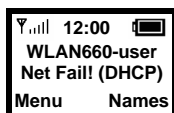
6.1. Error Messages

Error messages are displayed to let you know that an error has occurred. These error messages may prevent you from connecting to the network or from using the phone. You may need to contact the system administrator to resolve the problem.



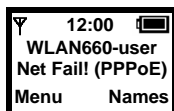
Error 1: No AP found (📶blinking)

The ESSID set on the phone does not match any of the Service Set Identifiers (SSIDs) of the AP in the network.



Error 2: Net Fail! (DHCP)

The phone failed to obtain the IP address from the DHCP server, or failed to authenticate due to a Wep Key error.



Error 3: Net Fail! (PPPoE)

The phone failed to obtain the IP address from your ISP service.



Error 4: Registering to SIP proxy failed

The phone failed to register with the SIP Proxy. It could be due to the WEP key or SIP proxy setting error. Please contact your service provider, or check your SIP Settings.

6.2. Warning Messages

Warning messages are displayed when the phone detects a condition that may disrupt your phone service.

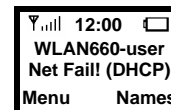


Warning 1: No display when the phone is seated in the charger.

- Situation 1: The phone is seated in the charger but there is no LCD display and back light, even if it has been powered on.
- Situation 2: The phone is seated in the charger but there is no LCD display; the back light is on.

Corrective Action:

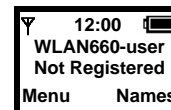
Place the phone in the charger and turn off the power. Keep the phone in the charger for approximately 30 seconds. Then remove it from the charger briefly, for approximately 2 seconds. Place the phone back in the charger and it will automatically turn on.



Warning 2: Battery Low (🔋blinking)

The battery energy level is low.

Corrective Action: Recharge the battery.



Warning 3: Weak signal detected (📶blinking)

The signal quality is low.

Corrective Action:

Connect to another AP. Move your phone closer to the AP. There may be too much radio interference (for example a microwave or another AP using the same channel) around your wireless network. Relocate or reduce the radio interference.